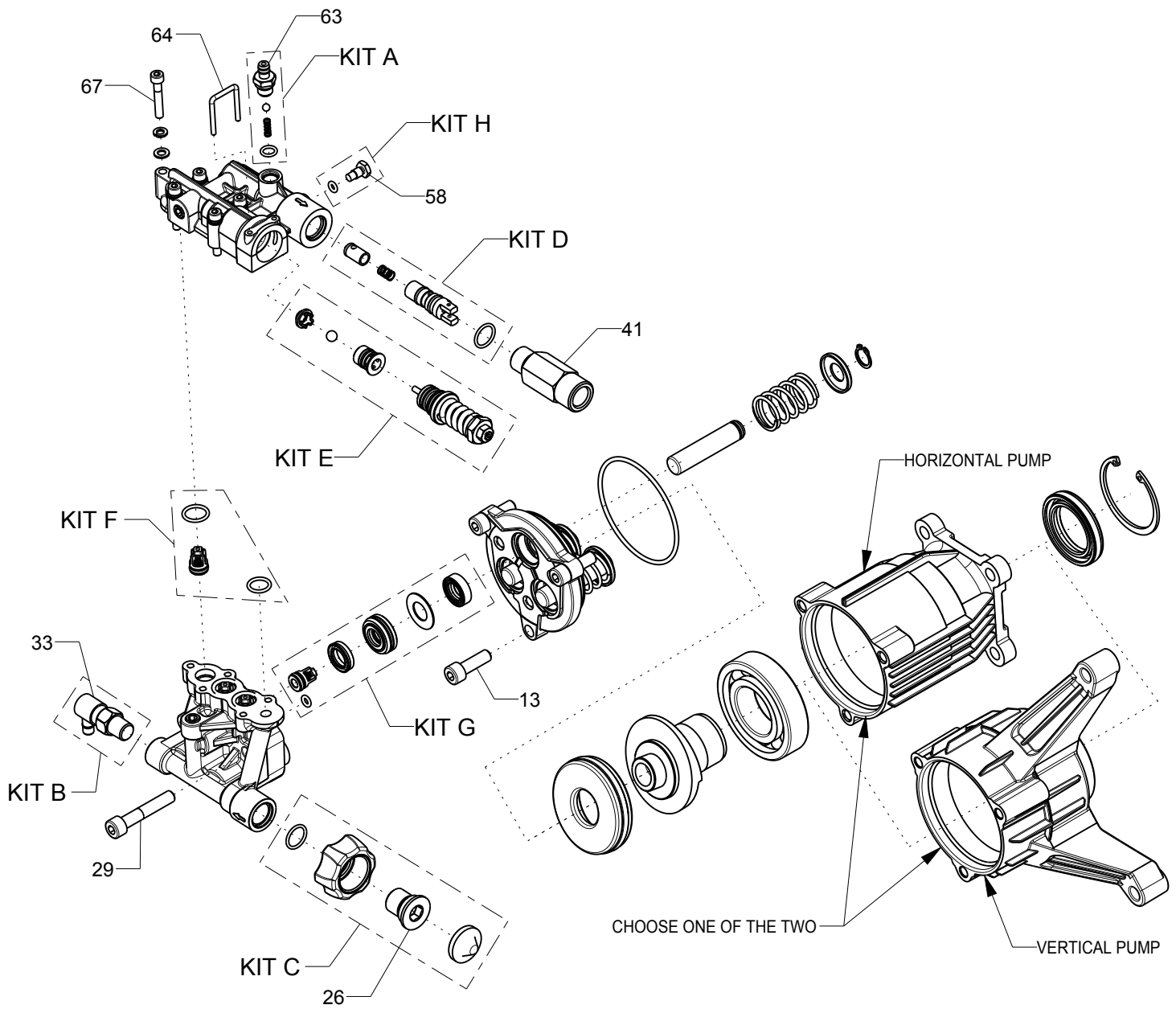


POWER WASHER PUMP, AXIAL - REPLACEMENT PARTS



REF.#	Part#	QTY	Description
KIT A	A0000021655	1	CHEMICAL INJECTION BARB KIT
KIT B	A0000021658	1	THERMAL RELIEF VALVE
KIT C	A0000021659	1	INLET CONNECTION KIT
KIT D	A0000021656	1	VENTURI KIT
KIT E	A0000021657	1	UNLOADER KIT
KIT F	A0000052348	1	CHECK VALVE KIT
KIT G	A0000052347	1	HI PRESSURE SEAL KIT
KIT H	A0000055049	1	FIX VENTURI KIT
41	10000040494	1	OUTLET PORT
64	10000040502	1	U SHAPE PIN

Torque Table			
REF.#	Part#	QTY	Torque (Unit N*M)
13	G058306	3	26-32
26	10000040459	1	16-18
29	G059985	3	26-32
33	0H9570	1	13-15
41	10000040494	1	25-35
58	10000040448	1	3-5
63	10000040493	1	4-6
67	10000047001	5	7-9